

High Power Optical Circulator (Polarization Independent)



FEATURES

- ✓ Polarization Independent
- ✓ Low Insertion Loss
- ✓ High Isolation and Return Loss
- ✓ High Reliability and Stability

APPLICATIONS

- Fiber Amplifier
- Testing Instruments
- Fiber Sensor
- Medical Equipment

Specifications of High Power Optical Circulator (1064nm, 1030nm, 980nm)

Center Wavelength (nm)	1064, 1030, or 980
Operating Wavelength Range (nm)	±5
Typ. Peak Isolation (dB)	25
Min. Isolation at 23°C (dB)	22
Typ. Insertion Loss at 23°C (dB)	1.3
Max. Insertion Loss at 23°C (dB)	1.5
Max. Polarization Dependent Loss at 23°C	0.15
Min. Cross Talk (dB)	45
Min. Return Loss (Input/ Output) (dB)	45
Max. Average Optical Power (W)	20
Max. Peak Power for ns Pulse (kW)	20
Max. Tensile Load (N)	5
Package Dimension (mm)	64x28x26
Operating Temperature (°C)	+10 ~ +50
Storage Temperature (°C)	0 ~ +60

Note:

1. The high power optical circulator (1064nm, 1030nm, 980nm) is customizable and the above specifications are subject to change without notice.
2. For CW high-power optical interconnection, we recommend fusion splice without connectors.
3. For device with connectors, IL is 0.3dB higher, RL is 5.0dB lower.
4. Bare fiber should not support the weight of the connector. So that if any connectors needed, for the pigtail type it's better to choose the 900µm loose tube jacket instead of the 250µm bare fiber.
5. For product customization or special requirements, please contact Lfiber's sales department for availability.

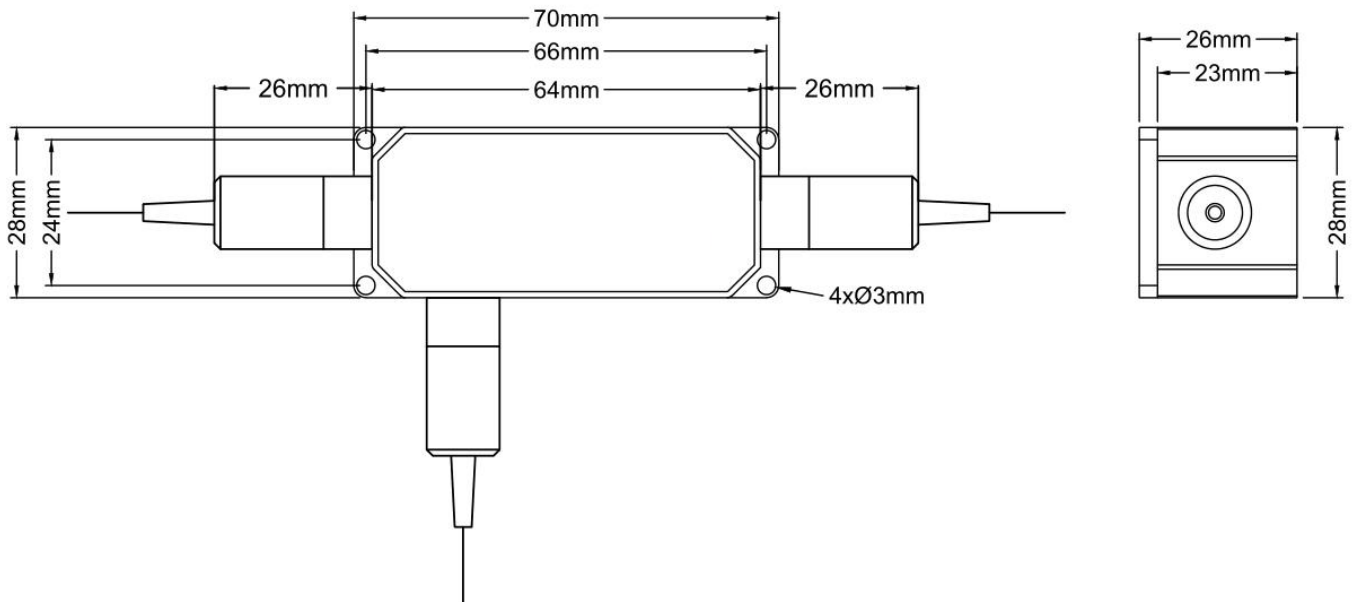


Optical Components, Fiber Optic Devices, Modules, and more.

More support, visit: www.lfiber.com

Email: sales@lfiber.com

Dimensions of High Power Optical Circulator (1064nm, 1030nm, 980nm)



Ordering Information of High Power Optical Circulator (1064nm, 1030nm, 980nm)

Center Wavelength	Port Type	Package Dimension	Fiber Type	Pigtail Type	Fiber Length	Connector Type	Average Power	Peak Power
980nm	3-Port	64x28x26 mm	Hi1060	250μm bare fiber	0.8 Meter	FC/UPC	500mW	10kW
1030nm			SMF-28e	900μm loose tube	1.0 Meter	FC/APC	1W	20kW
1064nm					Custom...	SC/UPC	2W	
						SC/APC	5W	
						LC/UPC	10W	
						LC/APC	20W	
						None		